

Figure 5-1 Game Wiring Diagram, Sheet 1

Figure 5-1 Game Wiring Diagram, Sheet 1

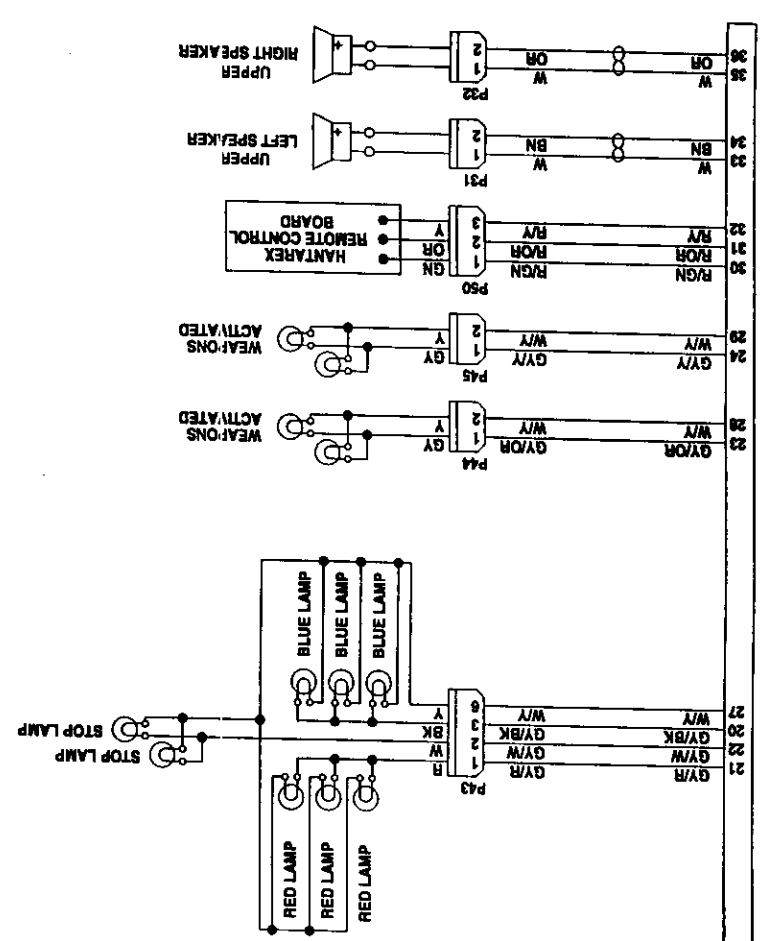
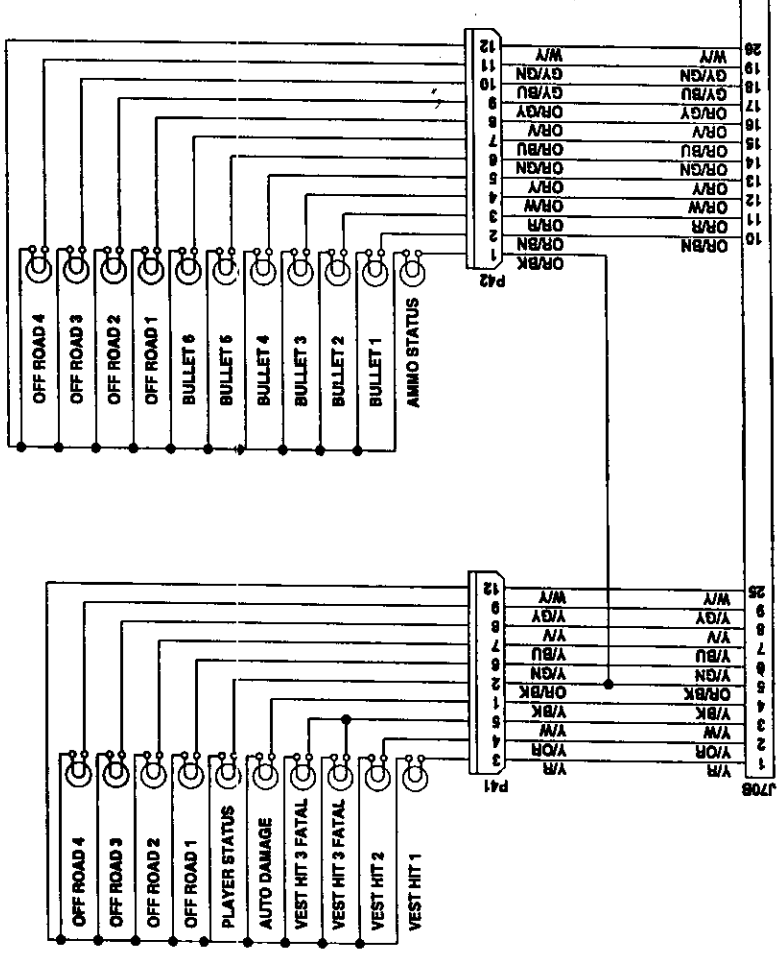
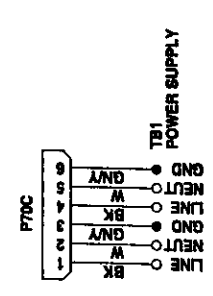
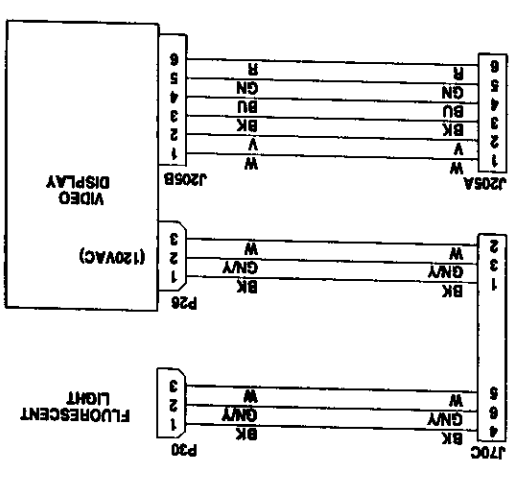
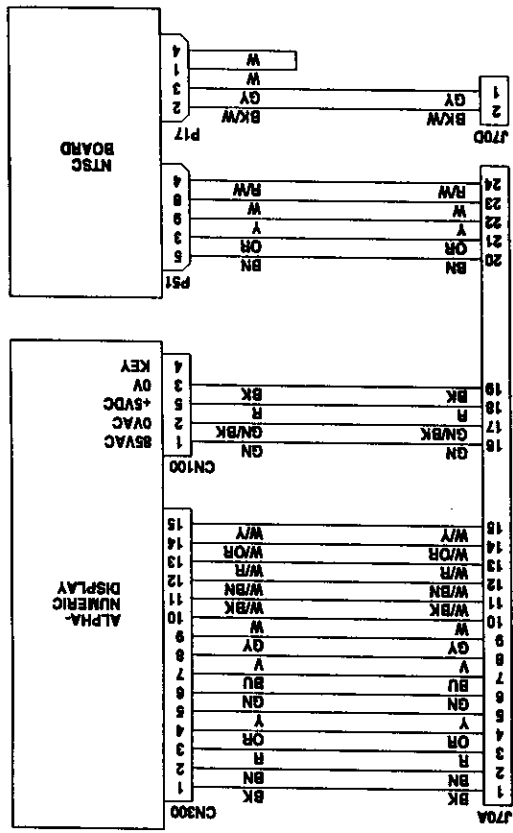


Figure 5-1 Game Wiring Diagram, Sheet 2

053830-01 Rev. A

Figure 5-1 Game Wiring Diagram, Sheet 2

053830-01 Rev. A

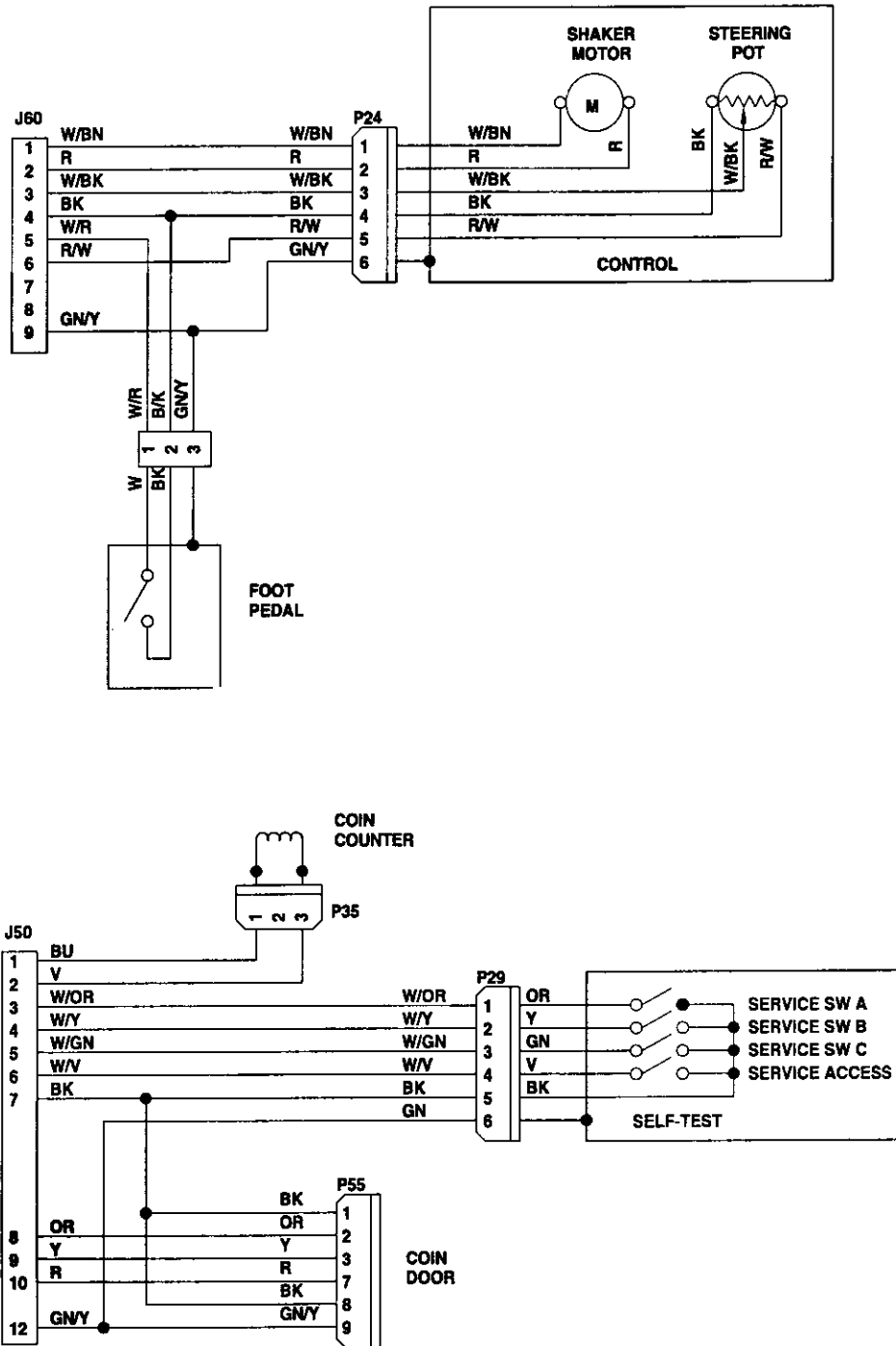
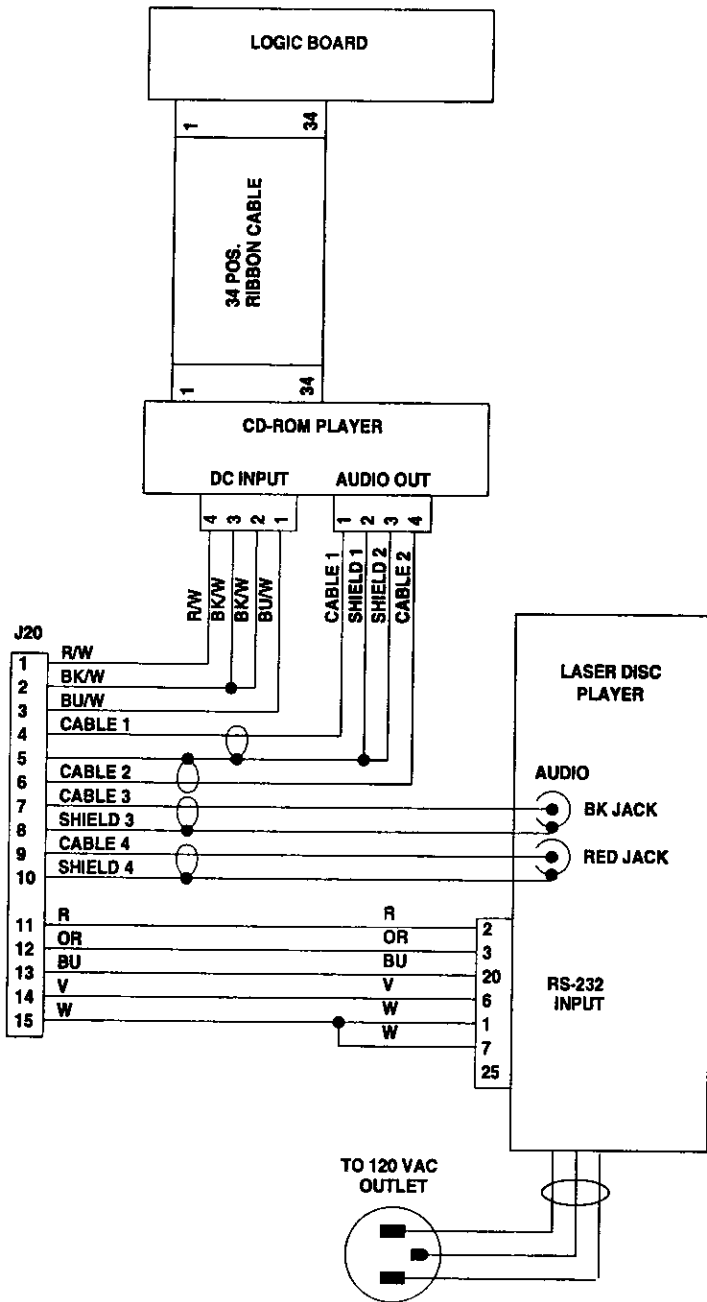


Figure 5-1 Game Wiring Diagram, Sheet 3

053830-01 Rev. A



NOTES:

1 ALTERNATE PIN-OUTS FOR EDGE CONNECTORS:

PIN#	ALTERNATE	PIN#	ALTERNATE
1	A 1	A	B 1
2	A 2	B	B 2
3	A 3	C	B 3
4	A 4	D	B 4
5	A 5	E	B 5
6	A 6	F	B 6
7	A 7	H	B 7
8	A 8	J	B 8
9	A 9	K	B 9
10	A 10	L	B 10
11	A 11	M	B 11
12	A 12	N	B 12
13	A 13	P	B 13
14	A 14	R	B 14
15	A 15	S	B 15
16	A 16	T	B 16
17	A 17	U	B 17
18	A 18	V	B 18
19	A 19	W	B 19
20	A 20	X	B 20
21	A 21	Y	B 21
22	A 22	Z	B 22
23	A 23	a	B 23
24	A 24	b	B 24
25	A 25	c	B 25
26	A 26	d	B 26
27	A 27	e	B 27
28	A 28	f	B 28
29	A 29	h	B 29
30	A 30	j	B 30
31	A 31	k	B 31
32	A 32	i	B 32
33	A 33	m	B 33
34	A 34	n	B 34
35	A 35	p	B 35
36	A 36	r	B 36

Figure 5-1 Game Wiring Diagram, Sheet 3

053830-01 Rev. A

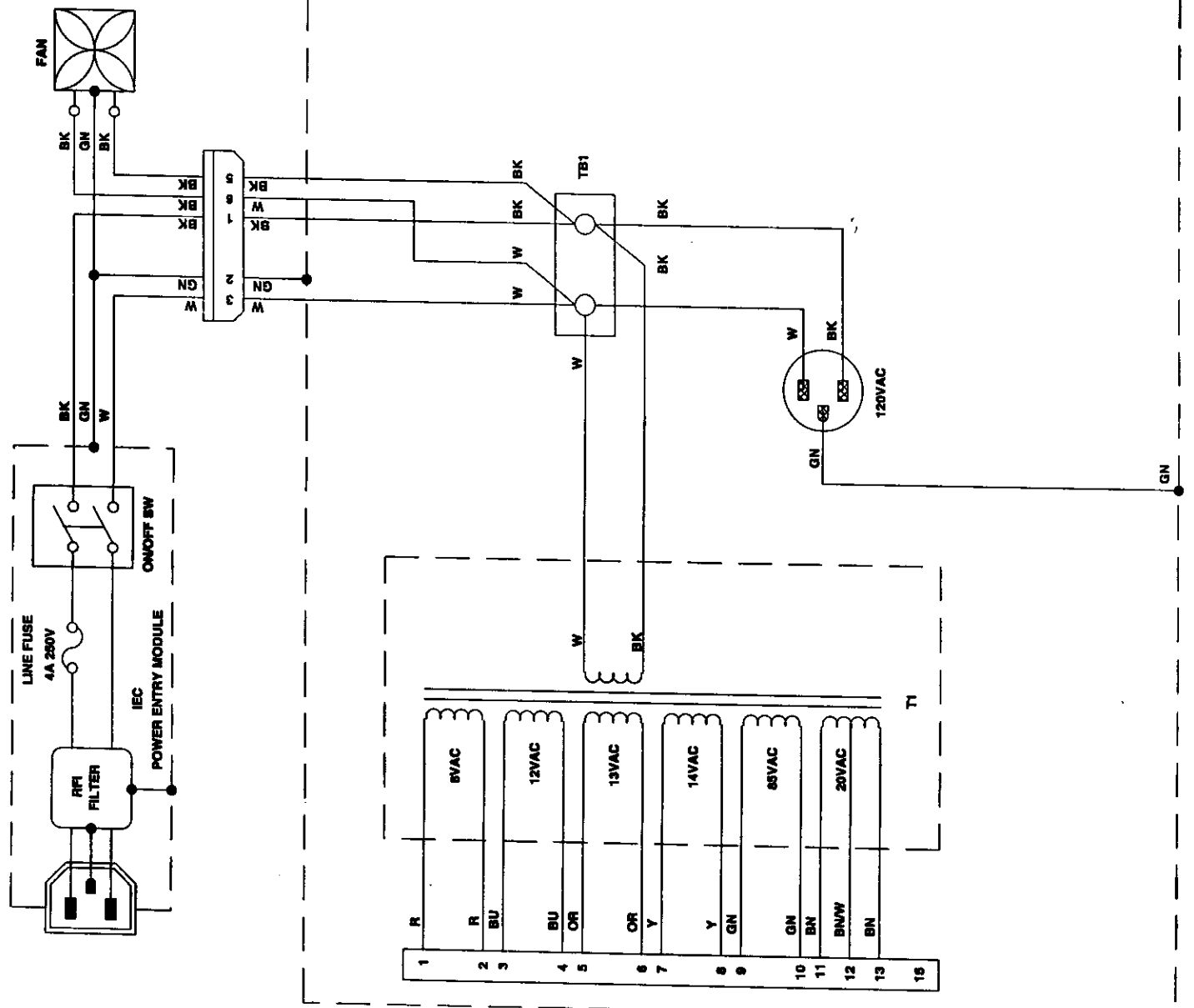


Figure 5-2 Power Supply Wiring Diagram

053853-01 Rev. A

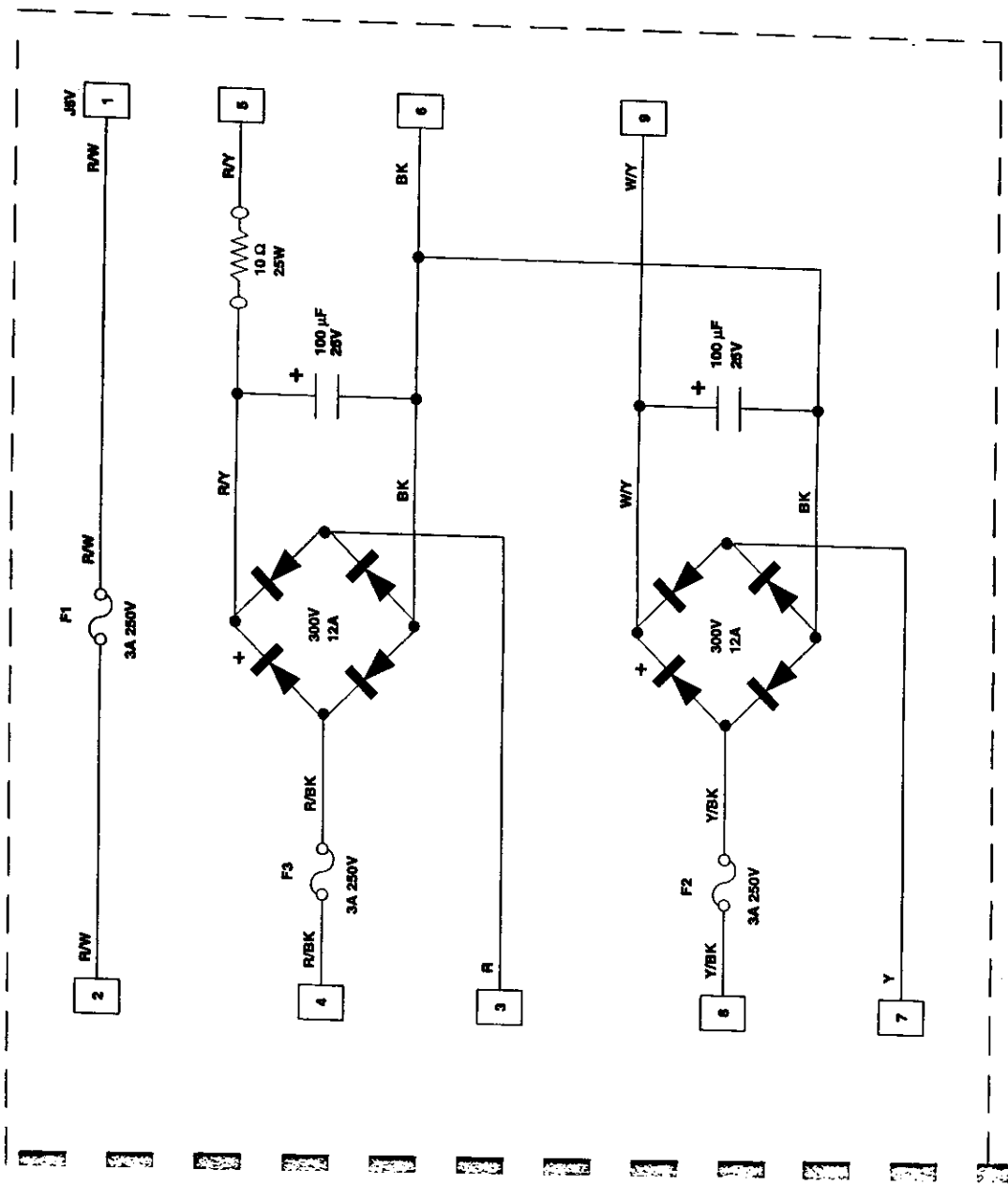


Figure 5-2 Power Supply Wiring Diagram

053853-01 Rev. A